

# Micro-trip Anti vandal switch $\Phi 22\text{mm}$

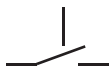


- Anti-Vandal IK09/ Sealed IP65
- Illuminated And Non-Illuminated
- Momentary
- Variety of Colors

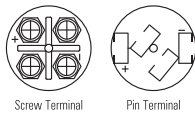
### Order Code

Series	Actuator Options	Terminal	Function	Material Finish	Illuminated Options	Color	Color Voltage	Marking Options
L22M Micro-trip	F- Flat	Pin(2.8X0.8) blank N- Screw	Momentary Blank	S- Stainless Steel	D- Dot R- Ring Non-illuminated blank	W- White Y- Yellow B- Blue G- Green R- Red O- Orange	6V 12V 24V 36V	Custom Markings Available

### Operation



### Description

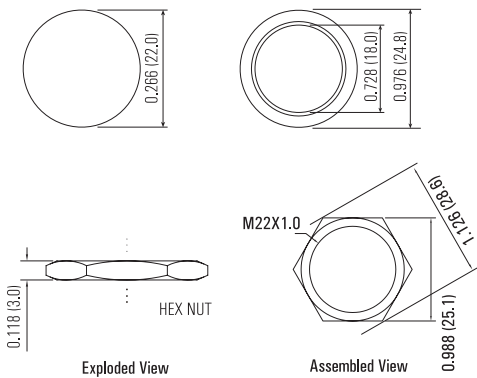


LED terminals marked + and Switch terminals unmarked.

### Technical Data

Type	L22M-F	L22M-F/R	L22M-F/D
Illuminated Options	Non-Illuminated	Ring	Dot
Terminal	Screw and Pin (2.8X0.8)		
Max. Switch Rating	50mA 24VDC		
Contact Resistance	$\leq 100\text{m}\Omega$		
Insulation Resistance	$\geq 1000\text{m}\Omega$		
Dielectric Strength	2000VAC		
Operation Temp	$-20^\circ\text{C} \sim +55^\circ\text{C}$		
Mechanical Life	1,000,000 Cycles		
Electrical Life	50,000 Cycles		
Contact Material	Silver Alloy		
Rear Nut Fixing Torque	0.57Nm		
Operation Pressure	approx. 8N		
Protection	IP65/ IK09		
Material			
Switch Assembly	UL94V-0 Rated Polyamide (Nylon)		
Tags	Copper Alloy		
Terminals	Copper Alloy		
Switch Body & Button	Stainless Steel/ *Anodized Aluminum		
Lens and Lens Body	Polycarbonate		
Internal Seal	Silicone		
O Ring	Nitrile		
Type	LED		
Voltage	6V/ 12V/ 24V/ 36V/ 110V/ 230V		
Color	R G Y O B W		
Life	Approx, 40,000 hours		

### Suggested Panel Cutout



### Dimension

