

BIG Current Anti vandal switch $\Phi 19\text{mm}$



Big range current:

3A 5A 8A 10A (15A)16A 20A(21A)

Snap action, compact design, suit for small space

Variety Of Colors

Anti-Vandal IK09/ Sealed IP65

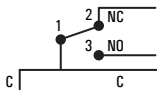
Illuminated and Non-Illuminated

Order Code

| Series | Actuator Options | Terminal | Function | Current Voltage | Material Finish | Illuminated Options | Color | Color Voltage | Marking Current |
|--------|------------------|---|---|--|--------------------|--|---|---|---------------------------|
| L19B | F- Flat blank | 6.35X0.8(#250) quick connect terminal (T=0.8) blank | M- Momentary 1 1NO (SPST) 2 1NC (SPST) 3 1NO1NC (SPDT) Z- Latching 1 1NO (SPST) 2 1NC (SPST) 3 1NO1NC (SPDT) | O2- 2.5A O3- 3A O5- 5A O8- 8A O10- 10A O16- 16A O21- 21A O6- 0.6A/ 125VDC O3- 0.3A/ 250VDC | S- Stainless Steel | D- Dot R- Ring Non-Illuminated blank | W- White Y- Yellow B- Blue G- Green R- Red O- Orange | 6V 12V 24V 36V 110V 230V | Custom Markings Available |



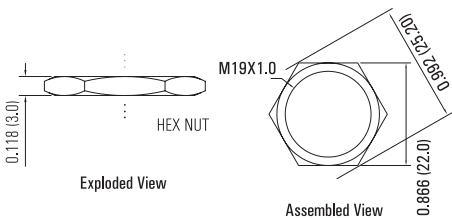
Operation



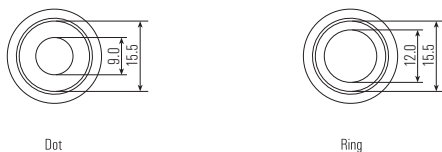
Suggested Panel Cutout



Max. Panel Thickness: 0.394 (10.0)



Illuminated



Technical Data

| Type | L19B-F | L19B-F/R | L19B-F/D |
|------------------------------|--|----------|----------|
| Illuminated Options | Non-Illuminated | Ring | Dot |
| Terminal | PIN (6.35X0.8) | | |
| Max. Switch Rating | 3A 5A 8A 10A 15A(16A) 20A(21A)/ 250VAC, 125VAC 0.6A/ 125VDC 0.3A/ 250VDC | | |
| Contact Resistance | $\leq 25\text{m}\Omega$ | | |
| Insulation Resistance | $\geq 100\text{m}\Omega$ | | |
| Dielectric Strength | Between non-consecutive terminals 1,000Vrms, 50/60Hz for 1min Between non-current carrying metal parts and each terminal 1,500Vrms, 50/60Hz for 1min Between ground and each terminal 1,500Vrms, 50/60Hz for 1min | | |
| Shock resistance | Destruction: O.F.>0.5N: 1000m/s ² (approx. 100g), O.F. \leq 0.5N: 400m/s ² (approx. 40g) Malfunction: O.F.>0.5N: 200m/s ² (approx. 20g), O.F. \leq 0.5N: 100m/s ² (approx. 10g) | | |
| Vibration Resistance | 10 - 50Hz, 1.5mm Double Amplitude | | |
| Ambient Temp. | -25 C ~ +85 C | | |
| Mechanical Life | 2,000,000cycles | | |
| Electrical Life | 50,000cycles | | |
| Contact Material | Silver Alloy | | |
| Torque | 5 ~ 14Nm | | |
| Operation Pressure | 10N | | |
| Protection | IP65/ IK09 | | |
| Material | | | |
| Actuator | Stainless Steel | | |
| Body | Stainless Steel | | |
| Color | | | |
| Type | LED | | |
| Voltage | 6V/ 12V/ 24V/ 36V/ 110V/ 230V | | |
| Color | R G Y O B W | | |
| Life | Approx. 40, 000hours | | |

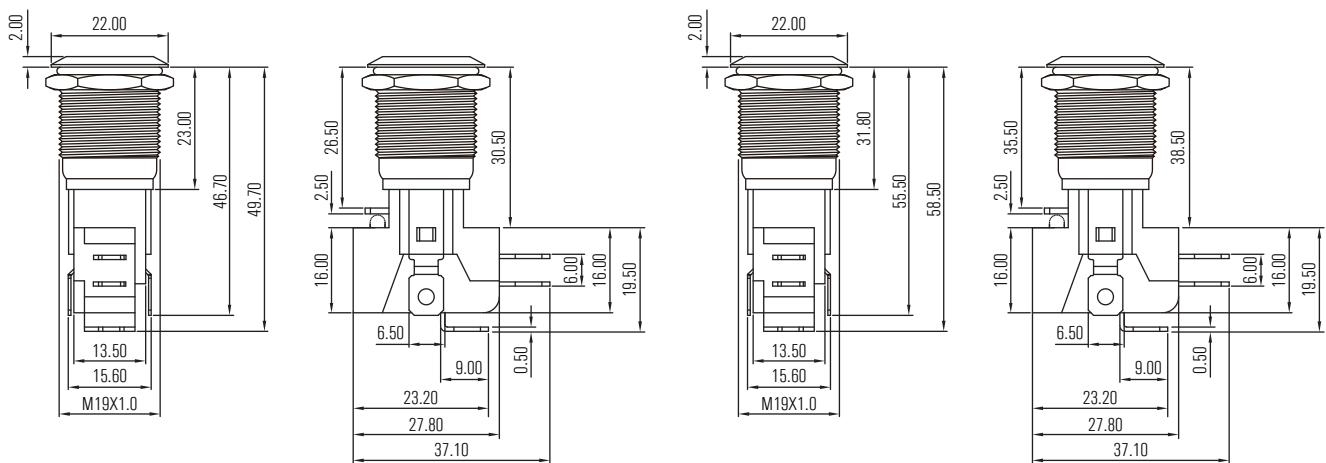
Terminal

| 端子种类 Terminal types | 快接端子#250(t=0.8) Quick-connect terminal #187 | 端子尺寸 Dimensions |
|--------------------------------|--|--------------------|
| 下公共端 Bottom common terminal | | |

Contact type

| 公共端类型 Common terminal types | 转换式 SPDT | 常闭式 SPST-NC | 常开式 SPST-NO |
|----------------------------------|----------|-------------|-------------|
| 公共端在底部 Bottom common terminal | | | |

Dimension



MOMENTARY

LATCHING